

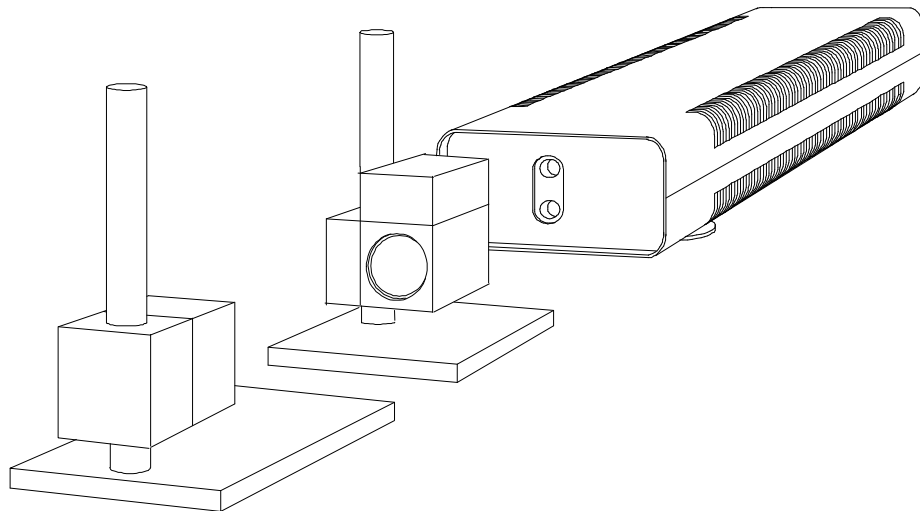


Double-frequency Laser Distance Measuring System

ZLM 700/800/900

Manual of the Software Package Version 2.5

- Part I -



JENAer Meßtechnik GmbH
Carl-Zeiss-Promenade 10

D - 07745 Jena
Federal Republic of Germany

© Unless expressly granted, it is neither allowed to pass on or copy this documentation nor to make use or inform third parties of its contents.

Any violation will make you liable for damages.

All rights reserved for granting of a patent or registered design.

This manual is not subject to any regular update service.

Published by: JENAer Meßtechnik GmbH
Carl-Zeiss-Promenade 10
D - 07745 Jena
Federal Republic of Germany
Telephone: +49 3641 2153 26
Telefax: +49 3641 2153 28

Copy deadline: 14.08.2020

We reserve the right to alter the equipment and thus depart from this manual on the basis of continuous development programs.

Safe operation of the instrument requires comprehensive knowledge of instrument controls and functions. Therefore, read the user manuals thoroughly before starting the instrument.

Modifications and repairs may be carried out only by the manufacturer or technicians authorized by the manufacturer.

The seller does not accept any liability for instrument or physical damages caused by unsuitable or improper use, non-observance of instructions, misoperation or careless treatment as well as natural wear.

Otherwise the Terms of Sale of JENAer Meßtechnik GmbH apply.

CAUTION !

LASER RADIATION !

**DO NOT STARE INTO THE LASER BEAM, NEITHER WITHOUT
NOR WITH OPTICAL AIDS OR INSTRUMENTS !**

Class II Laser Product.