

**G. Kabel - Lichtwellenleiter**

G. Cables – Optic fiber cables

**Kurzübersicht Kabel**

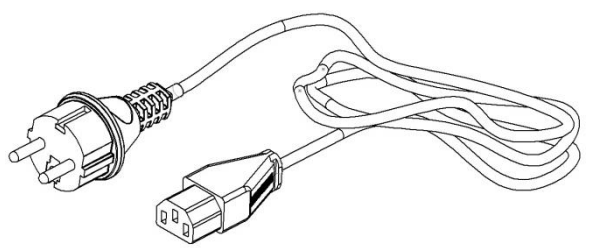
Short overview cables

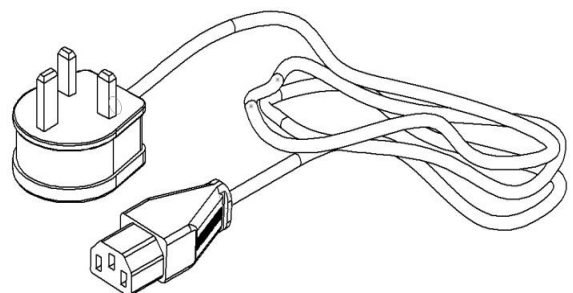
	Bestell-Nr. / Order No.:	Stecker / socket	ZLM700	ZLM800	ZLM900 LSI
<b>Kabel für externe Triggerung PCI</b> Cable external triggering PCI Länge / length: 5m	269302-5001.324	X2	x	x	x
<b>Y-Kabel für externe Triggerung PCI</b> Y-Cable external triggering PCI Länge / length: 5m	269302-5001.424	X2	x	x	x
<b>Heidenhain Kabel in (2. Zähler)</b> Heidenhain cable in (2. Counter) Länge / length: 1,1m	269302-5000.724	X2	x	x	x
<b>A-Q-B Kabel (15 pol)</b> A-Q-B cable (15pol) Länge / length: 5m	269302-5040.424	X2	x	x	x
<b>A-Q-B Kabel (9 pol)</b> A-Q-B cable (9 pol) Länge / length: 5m	269302-5040.524	X2	x	x	x
<b>A-Q-B Kabel (Spindler &amp; Hoyer)</b> A-Q-B cable (Spindler & Hoyer) Länge / length: 5m	269302-5100.024	X2	x	x	x
<b>AUK Kabel</b> AUK cable Länge / length: 5m	269302-4040.224	X3	x	x	x
<b>Messkopfkabel</b> Measurement head cable, complete Länge / length: 5m	269302-4040.824	X4	x	x	-
<b>Messkopfkabel</b> Measurement head cable Länge / length: 5m	269302-5040.124	X4	x	x	-
<b>Messkopfkabel</b> Measurement head cable, complete (Fiber cables are integrated) Länge / length: 20m	269302-5040.824	X4	x	x	-
<b>Messkopfkabel (Einbauvariante)</b> Measurement head cable (built- in system) Länge / length: 5m	269302-4080.824	X4	x	x	-
<b>Messkopfkabel (ZLM 800)</b> Measurement head cable (ZLM 800) Länge / length: 5m	269302-5062.126	X4	x	x	-
<b>Messkopfkabel (ZLM 900) standard</b> Measurement head cable (ZLM 900) standard	269302-5091.824	X4			
<b>Messkopfkabel (ZLM 900) mit Referenz</b> Measurement head cable (ZLM 900) with reference	269302-5091.724	X4			

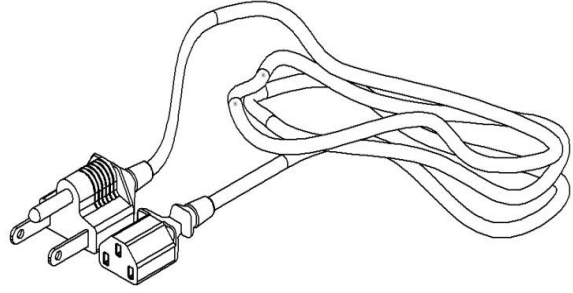
	Bestell-Nr. / Order No.:	Stecker / socket	ZLM700	ZLM800	ZLM900 LSI
<b>Echtzeit- Adapter mit SCSI – Ausgang</b> <i>Real-time adapter with SCSI – output</i> Länge / length: 1m	<b>269302-4041.324</b>	X6	x	x	x
<b>Kabel - PCI mit SCSI - Buchse</b> <i>Cable PCI with SCSI connector</i> Länge / length: 0,3m	<b>296302-5040.924</b>	X6	x	x	x
<b>SCSI – Kabel</b> <i>SCSI – cable</i> Länge / length: 2m	<b>296302-4041.124</b>	X6	x	x	x
<b>Synchron-Reset-Kabel (3-fach)</b> <i>Synchron Reset cable (3fold)</i> Länge / length: 5m	<b>296302-5000.824</b>	X2	x	x	x
<b>Synchron-Reset-Kabel (2-fach)</b> <i>Synchron Reset cable (2fold)</i> Länge / length: 5m	<b>296302-5000.924</b>	X2	x	x	x
<b>Quadrantenkabel (für Referenzposition)</b> <i>Quad cable ( for reference position)</i> Länge / length: 5m	<b>296302-5040.926</b>	X4	x	x	x

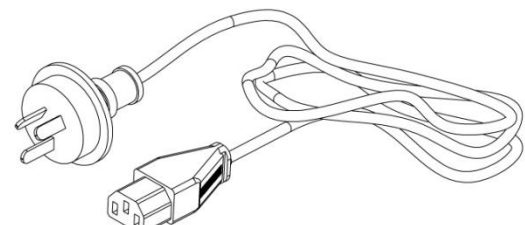
## Kabel &amp; Lichtwellenleiter

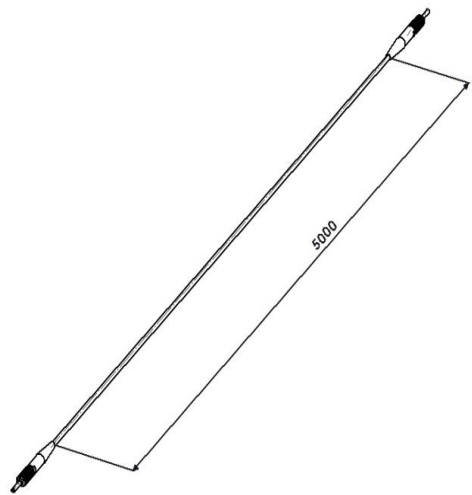
Cables &amp; Optic fibers

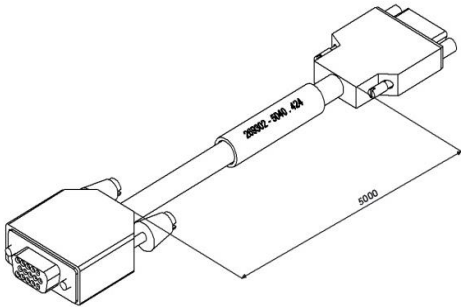
<b>Geräteanschlusskabel DIN Standard</b> <i>Power cable - DIN standard</i>		
<b>Masse [g] /</b>	<i>Weight :</i> -	
<b>Bestell-Nr. /</b> <i>Order No.:</i> <b>000000 – 0146 . 250</b>		

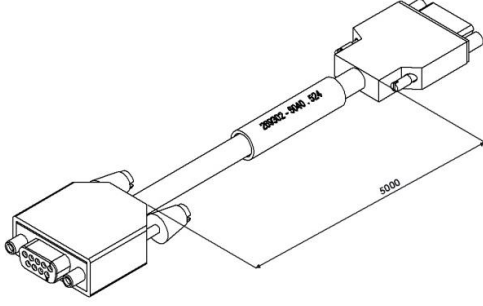
<b>Geräteanschlusskabel GB Version</b> <i>Power cable – British version</i>		
<b>Masse [g] /</b>	<i>Weight :</i> -	
<b>Bestell-Nr. /</b> <i>Order No.:</i> <b>000000 – 0228 . 205</b>		

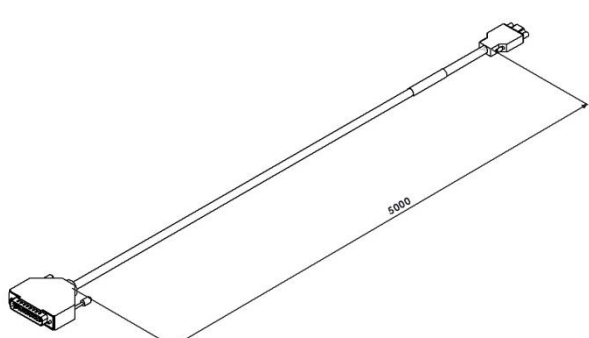
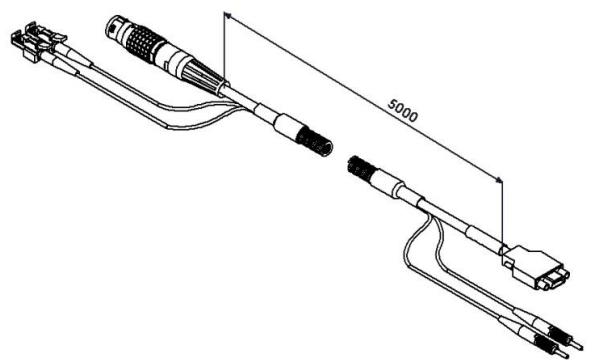
<b>Geräteanschlusskabel Japan /USA Version</b> <i>Power cable – Japan / USA version</i>		
<b>Masse [g] /</b>	<i>Weight :</i> -	
<b>Bestell-Nr. /</b> <i>Order No.:</i> <b>000000 – 0228 . 289</b>		

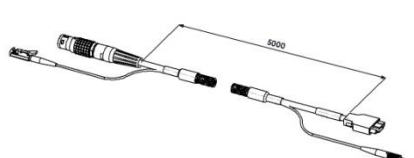
<b>Geräteanschlusskabel Australien/ China</b> <i>Power cable – Australia / China version</i>		
<b>Masse [g] /</b>	<i>Weight :</i> -	
<b>Bestell-Nr. /</b> <i>Order No.:</i> <b>000000 – 5001 . 394</b>		

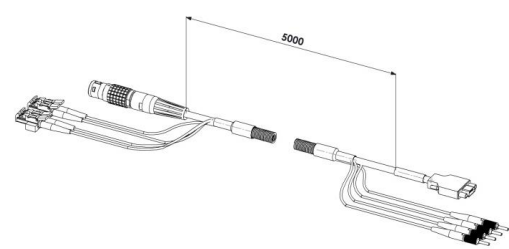
<b>Gradienten - Lichtwellenleiter</b> <i>Gradient index fiber cable</i>		
<b>Länge :</b> <i>Length:</i>	3 m (Standard) / nach Kundenanforderungen according to customer requirements	
<b>Masse [g] /</b> <i>Weight :</i>	-	
<b>Bestell-Nr. /</b> <i>Order No.:</i> <b>000000 – 0212 . 678</b>		
<b>Steckersystem:</b> <i>Connector:</i> pe Patchkabel 2xD-4108.66/K - 50/125/900/3000-5m		

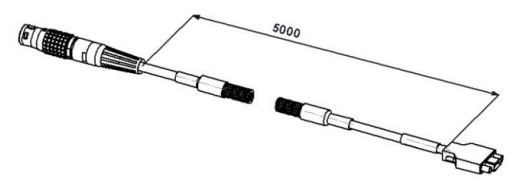
<b>A-Q-B Kabel (15 pol)</b> <i>A-Q-B connecting cable (15 pol)</i>		
<b>Länge :</b> <i>Length:</i>	5 m (Standard) / nach Kundenanforderungen according to customer requirements	
<b>Masse [g] /</b> <i>Weight :</i>	323	
<b>Bestell-Nr. /</b> <i>Order No.:</i> <b>269302 – 5040 . 424</b>		
<b>Steckersystem:</b> <i>Connector:</i> MDSM - 25 SC - Z11 - VS 1- D - SUB - Buchse 15 pol HIGH DENSITY		

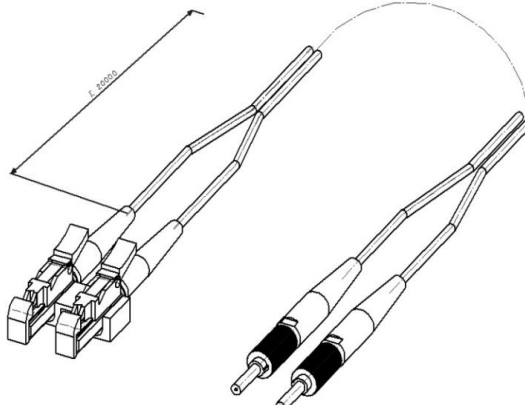
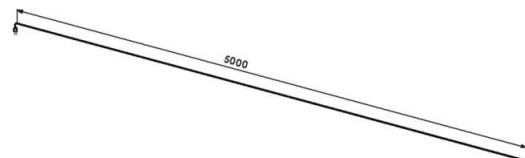
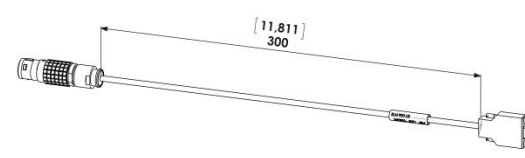
<b>A-Q-B Kabel (9 pol)</b> <i>A-Q-B connecting cable( 9pol)</i>		
<b>Länge :</b> <i>Length:</i>	5 m (Standard) / nach Kundenanforderungen according to customer requirements	
<b>Masse [g] /</b> <i>Weight :</i>	323	
<b>Bestell-Nr. /</b> <i>Order No.:</i> <b>269302 – 5040 . 524</b>		
<b>Steckersystem:</b> <i>Connector:</i> MDSM - 25 SC - Z11 - VS 1- D - SUB - Buchse 9 pol		

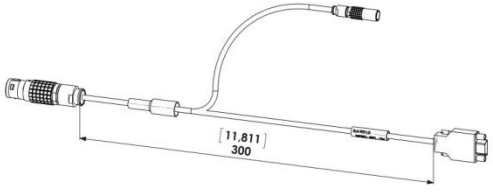
<b>AUK Anschlusskabel</b> <i>AUK connecting cable</i>		
<b>Länge :</b> <i>Length:</i>	5 m (Standard) / oder Kundenanforderung or customer requirements	
<b>Masse [g] / Weight :</b>	-	
<b>Bestell-Nr. / Order No.:</b> <b>269302 – 4040 . 224</b>		
<b>Steckersystem:</b> <i>Connector:</i> Dsub Stecker 25 pol DB-25P K87-A190 MDSM-15SC-Z11-VS1		
<b>Messkopfkabel , komplett</b> <i>Measurement head cable, complete (Fiber cables are integrated)</i>		
<b>Länge :</b> <i>Length:</i>	3 m (Standard)/ oder Kundenanforderung or customer requirements	
<b>Masse [g] / Weight :</b>	-	
<b>Bestell-Nr. / Order No.:</b> <b>269302 – 4040 . 824</b>		
<b>Steckersystem:</b> <i>Connector:</i> FGG.3B.312.CLA D62ZN MDSM-15SC-Z11-VS1		

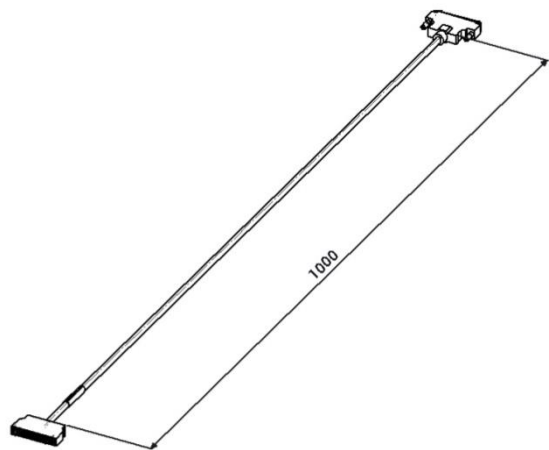
<b>Messkopfkabel (Einbauvariante)</b> <i>Measurement head cable, (built-in system)</i>		
<b>Länge :</b> <i>Length:</i>	3 m (Standard)/ oder Kundenanforderung or customer requirements	
<b>Masse [g] / Weight :</b>	-	
<b>Bestell-Nr. / Order No.:</b> <b>269302 – 4080 . 824</b>		
<b>Steckersystem:</b> <i>Connector:</i> FGG.3B.312.CLA D62ZN MDSM-15SC-Z11-VS1		

<b>Messkopfkabel, komplett (ZLM 800)</b> <i>Measurement head cable, complete (ZLM 800)</i>		
<b>Länge :</b> <i>Length:</i>	3 m oder Kundenanforderung or customer requirements	
<b>Masse [g] / Weight :</b>	-	
<b>Bestell-Nr. / Order No.:</b> <b>269302 – 5062 . 126</b>		
<b>Steckersystem:</b> <i>Connector:</i> FGG.3B.312.CLA D62ZN MDSM-15SC-Z11-VS1		

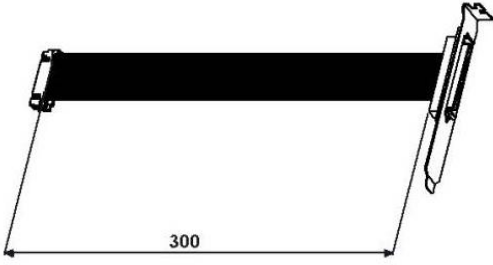
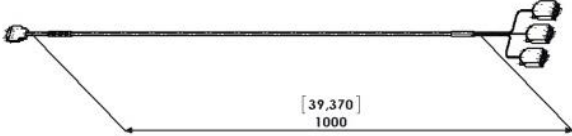
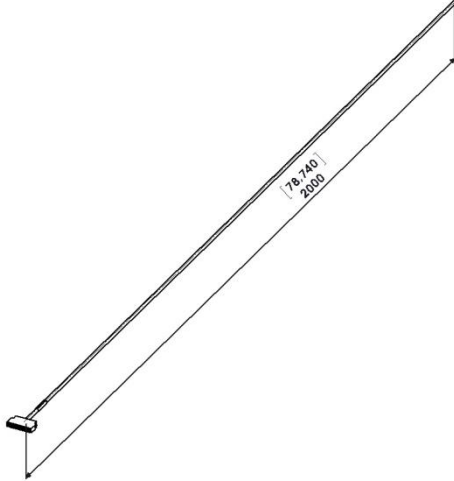
<b>Messkopfkabel</b> <i>Measurement head cable</i>		
<b>Länge :</b> <i>Length:</i>	3 m (Standard)/ oder Kundenanforderung or customer requirements	
<b>Masse [g] / Weight :</b>	-	
<b>Bestell-Nr. / Order No.:</b> <b>269302 – 5040 . 124</b>		
<b>Steckersystem:</b> <i>Connector:</i> FGG.3B.312.CLA D62ZN MDSM-15SC-Z11-VS1		

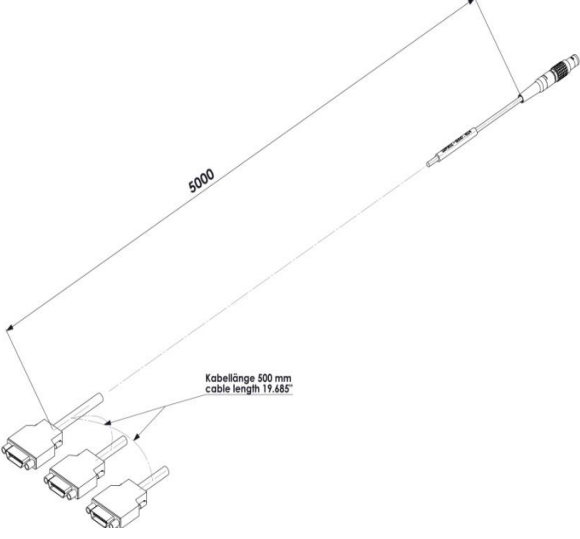
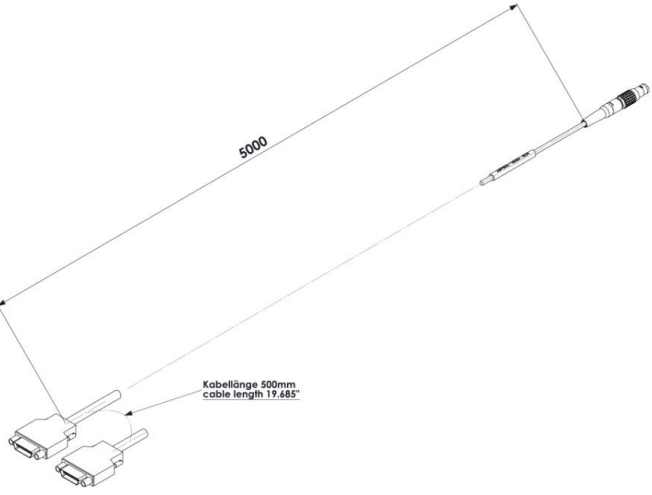
<b>Doppellichtwellenleiter</b> <i>Double fiber cable</i>		
<b>Länge x [m]:</b> <i>Length x [m]:</i>	3 m (standard)/ oder Kundenanforderung or customer requirements	
<b>Masse [g] / Weight :</b>	-	
<b>Bestell-Nr. / Order No.:</b> <b>269302 – 4043 . 724 /x</b>		
<b>Steckersystem:</b> <i>Connector:</i> E-2148.6 SM 8° Compact Zirkonia/Neusilber- Einsatz (Pilzferule) 8° D -4106.66 SM 0° Zirkonia/neusilber-Einsatz (Pilz)Stirnfläche konvex Simplex- Kabel 1x50/125/900/1600-20,0m		
<b>Kabel für externe Triggerung - PCI</b> <i>Cable for extern triggering - PCI</i>		
<b>Länge :</b> <i>Length:</i>	5 m	
<b>Masse [g] / Weight :</b>	230	
<b>Bestell-Nr. / Order No.:</b> <b>269302 – 5001 . 324</b>		
<b>Steckersystem:</b> <i>Connector:</i> MDSM - 25 SC - Z11 - VS 1 FGG.0B.304.CLA		
<b>Messkopfkabel (ZLM 900) Standard</b> <i>Measurement head cable (ZLM 900) standard</i>		
<b>Länge :</b> <i>Length:</i>	300 mm	
<b>Masse [g] / Weight :</b>	230	
<b>Bestell-Nr. / Order No.:</b> <b>269302 – 5091 . 824</b>		
<b>Steckersystem:</b> <i>Connector:</i> MDSM - 25 SC - Z11 - VS 1 FGG.3B.316.CLAD92Z		

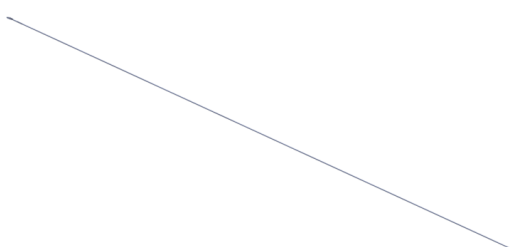
<b>Messkopfkabel (ZLM 900) mit Referenz</b> <i>Measurement head cable (ZLM 900) with reference</i>		
<b>Länge :</b> <i>Length:</i>	300 mm	
<b>Masse [g] / Weight :</b>	230	
<b>Bestell-Nr. / Order No.:</b> <b>269302 – 5091 . 824</b>		
<b>Steckersystem:</b> <i>Connector:</i> MDSM - 25 SC - Z11 - VS 1 FGG.3B.316.CLAD92Z		


<b>Echtzeit -Adapter mit SCSI – Ausgang</b> <i>Real-time adapter with SCSI - output</i>		
<b>Länge :</b> <i>Length:</i>	1 m	
<b>Masse [g] / Weight :</b>	196	
<b>Bestell-Nr. Order No.:</b> <b>/</b> <b>269302 – 4041 . 324</b>		
<b>Steckersystem:</b> <i>Connector:</i> SCSI Stecker - 68 pol (male) SCSI Buchse 68 pol (female)		

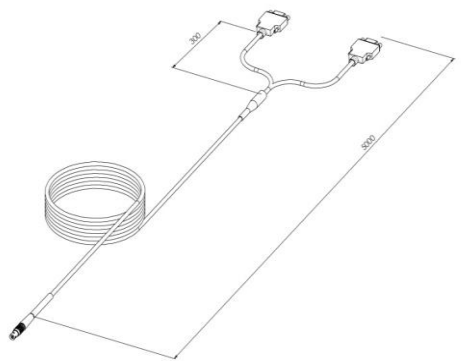


<b>Kabel - PCI mit SCSI Buchse (Standard)</b> <i>Cable PCI with SCSI connector (standard)</i>		
<b>Länge :</b> <i>Length:</i>	0,3 m	
<b>Masse [g] / Weight :</b>	-	
<b>Bestell-Nr. / Order No.:</b> <b>269302 – 5040 . 924</b>		
<b>Steckersystem:</b> <i>Connector:</i> IDC-Buchsenleiste 50-pol (female) ScSi - Buchse 68 pol		
<b>Heidenhain Kabel</b> <i>Heidenhain cable</i>		
<b>Länge :</b> <i>Length:</i>	1,2 m	
<b>Masse [g] / Weight :</b>	-	
<b>Bestell-Nr. / Order No.:</b> <b>269302 – 5000 . 724</b>		
<b>Steckersystem:</b> <i>Connector:</i> 2x D - SUB - Buchse 9 pol(female) 1x D - SUB - Stecker 9 pol (male) 1x MDSM - 25 SC - Z11 - VS 1		
<b>SCSI – Kabel</b> <i>SCSI - cable</i>		
<b>Länge :</b> <i>Length:</i>	2 m	
<b>Masse [g] / Weight :</b>	113	
<b>Bestell-Nr. / Order No.:</b> <b>269302 – 4041 . 124</b>		
<b>Steckersystem:</b> <i>Connector:</i> SCSI Stecker - 68 pol (male) (Anschlussbelegung und Steckkontakt entsprechend Kundenauftrag) (Pin assignment and plug contact according to customer order)		

<b>Synchron-Reset-Kabel (3-fach)</b> <i>Synchron reset cable (3fold)</i>		
<b>Länge :</b> <i>Length:</i>	5 m	
<b>Masse [g] / Weight :</b>	-	
<b>Bestell-Nr. / Order No.:</b> <b>269302 – 5000 . 824</b>		
<b>Steckersystem:</b> <i>Connector:</i> 1 FGG.OG.304 .CLA.D52 3x MDSM - 25 SC - Z11 - VS 1		
<b>Synchron-Reset-Kabel (2-fach)</b> <i>Synchron reset cable (2fold)</i>		
<b>Länge :</b> <i>Length:</i>	5 m	
<b>Masse [g] / Weight :</b>	-	
<b>Bestell-Nr. / Order No.:</b> <b>269302 – 5000 . 924</b>		
<b>Steckersystem:</b> <i>Connector:</i> 1 FGG.OG.304 .CLA.D52 2x MDSM - 25 SC - Z11 - VS 1		

<b>A-Q-B-Kabel (Spindler &amp; Hoyer)</b> <i>A-Q-B cable (Spindler &amp; Hoyer)</i>		
<b>Länge :</b> <i>Length:</i>	5 m (Standard)/ oder Kundenanforderung or customer requirements	
<b>Masse [g] /</b> <i>Weight :</i>	323	
<b>Bestell-Nr. /</b> <i>Order No.:</i> <b>269302 – 5100 . 024</b>		
<b>Steckersystem:</b> <i>Connector:</i> MDSM - 25 SC - Z11 - VS 1- D - SUB - Buchse 15 pol		

<b>Quadrantenkabel ( für Referenzposition)</b> <i>Quad cable (for reference position)</i>		
<b>Länge :</b> <i>Length:</i>	5 m (Standard)/ oder Kundenanforderung or customer requirements	
<b>Masse [g] /</b> <i>Weight :</i>	268	
<b>Bestell-Nr. /</b> <i>Order No.:</i> <b>269302 – 5040 . 924</b>		
<b>Steckersystem:</b> <i>Connector:</i> MDSM - 25 SC - Z11 - VS 1- 1 FGG.OG.307 .CLA.D56		

<b>Y-Kabel für externe Triggerung - PCI</b> <i>Y- Cable for extern triggering - PCI</i>		
<b>Länge :</b> <i>Length:</i>	5 m	
<b>Masse [g] / Weight :</b>	250	
<b>Bestell-Nr. / Order No.:</b> <b>269302 – 5001 . 424</b>		
<b>Steckersystem:</b> <i>Connector:</i> 2x MDSM - 25 SC - Z11 - VS 1 FGG.0B.304.CLA		