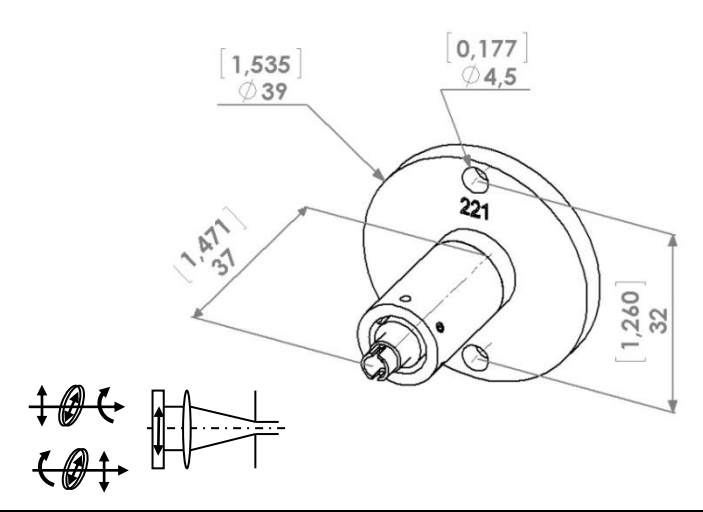
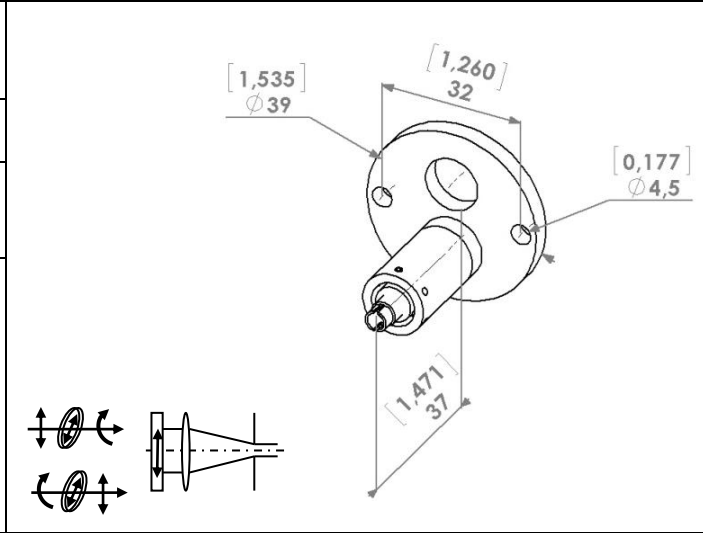
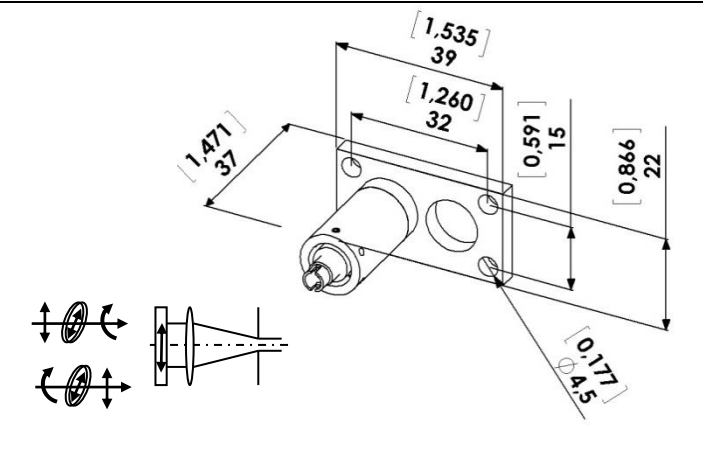
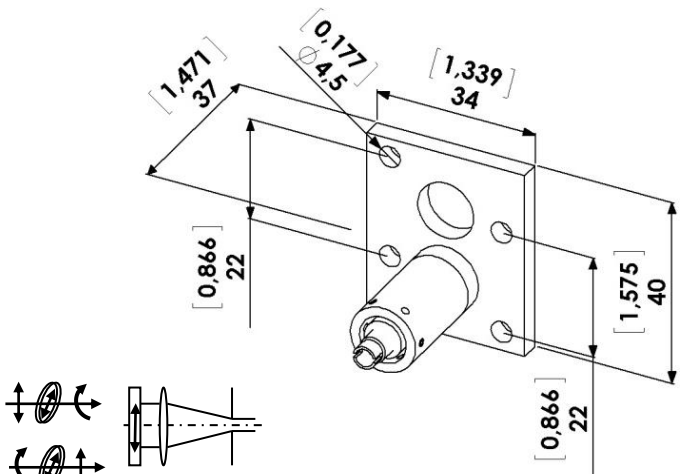
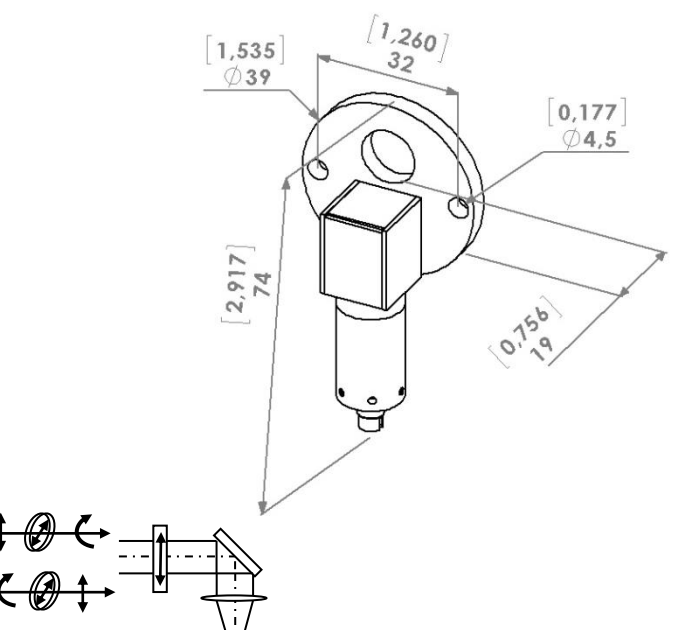
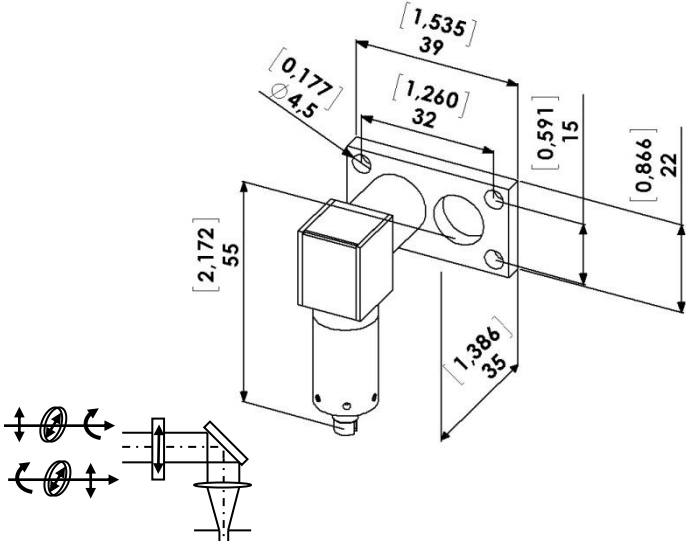


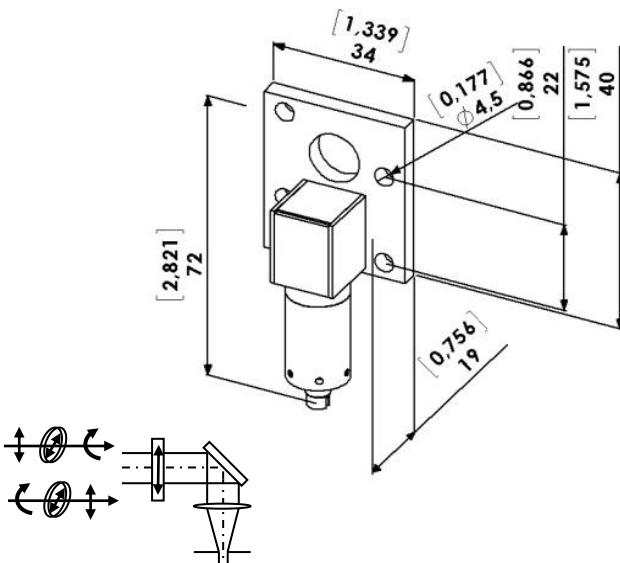
F. Faserkoppler - Ein- und Auskoppeloptiken
F. Fiber optics couplings - Input and Output

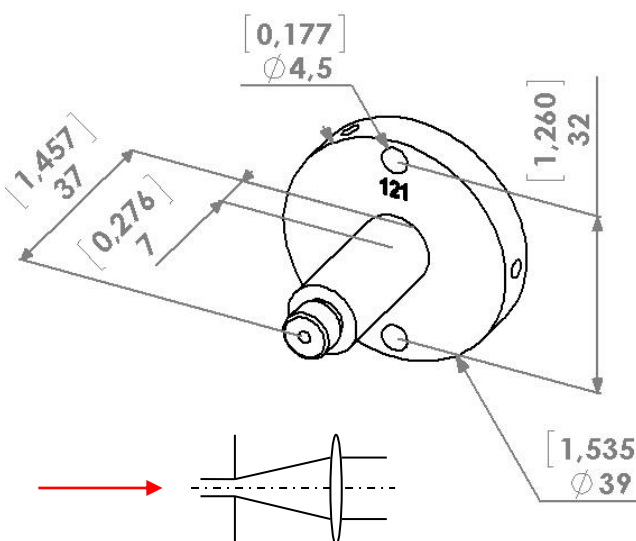
LWL Anschluss 221 <i>Fiber optics coupling 221</i>	
Masse [g]:/ Weight : 59	
Bestell-Nr. / Order No.: 269302 – 4015 . 624	
Steckersystem: DIN LSA Stecker (8° Schliff) D-4108.66 <i>Connector:</i> <i>DIN LSA connector (8°-polish) D-4108.66</i>	
LWL Anschluss 222 <i>Fiber optics coupling 222</i>	
Masse [g]:/ Weight : 55,5	
Bestell-Nr. / Order No.: 269302 – 4015 . 724	
Steckersystem: DIN LSA Stecker (8° Schliff) D-4108.66 <i>Connector:</i> <i>DIN LSA connector (8°-polish) D-4108.66</i>	
LWL Anschluss 223 <i>Fiber optics coupling 223</i>	
Masse [g]:/ Weight : 43	
Bestell-Nr. / Order No.: 269302 – 4015 . 824	
Steckersystem: DIN LSA Stecker (8° Schliff) D-4108.66 <i>Connector:</i> <i>DIN LSA connector (8°-polish) D-4108.66</i>	

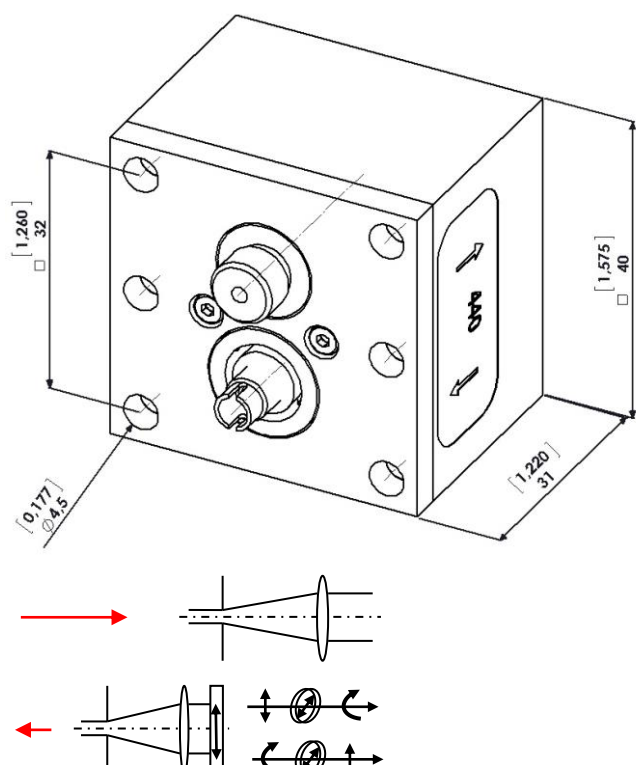
<p>LWL - Anschluss für Parallelinterferometer 224 <i>Fiber optics coupling for Parallel interferometer 224</i></p>	
<p>Masse [g]:/ Weight : 60</p>	
<p>Bestell-Nr. / Order No.: 269302 – 4015 . 924</p>	
<p>Steckersystem: DIN LSA Stecker (8° Schliff) D-4108.66 <i>Connector:</i> <i>DIN LSA connector (8°-polish) D-4108.66</i></p>	

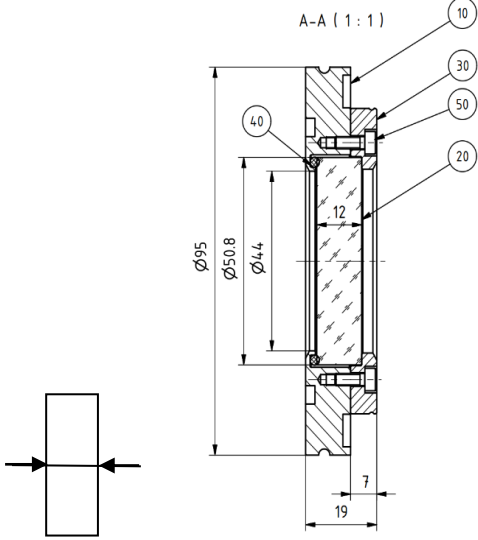
<p>LWL - Anschluss 222 abgewinkelt <i>Fiber optics coupling 222 bent</i></p>	
<p>Masse [g]:/ Weight : 74,4</p>	
<p>Bestell-Nr. / Order No.: 269302 – 4020 . 624</p>	
<p>Steckersystem: DIN LSA Stecker (8° Schliff) D-4108.66 <i>Connector:</i> <i>DIN LSA connector (8°-polish) D-4108.66</i></p>	

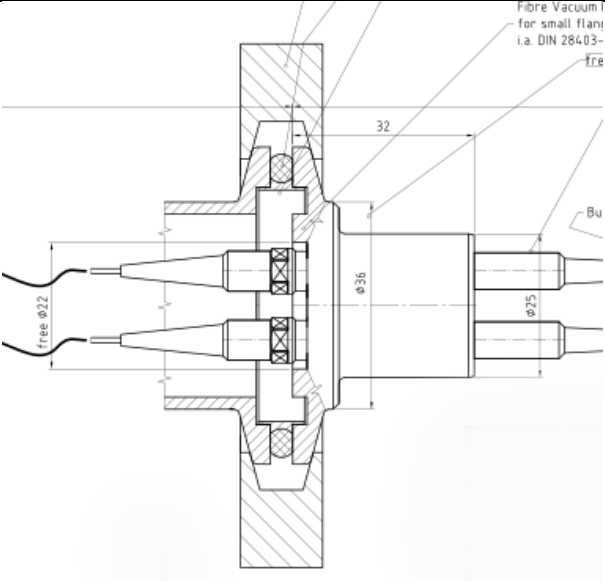
LWL - Anschluss 223 abgewinkelt <i>Fiber optics coupling 223 bent</i>		
Masse [g]:/ Weight :	75,3	
Bestell-Nr. / Order No.:	269302 – 4020 . 924	
Steckersystem: DIN LSA Stecker (8° Schliff) D-4108.66 <i>Connector:</i> DIN LSA connector (8°-polish) D-4108.66		

LWL - Anschluss für Parallelinterferometer 224 abgewinkelt <i>Fiber optics coupling for Parallel interferometer 224 bent</i>		
Masse [g]:/ Weight :	79	
Bestell-Nr. / Order No.:	269302 – 4021 . 124	
Steckersystem: DIN LSA Stecker (8° Schliff) D-4108.66 <i>Connector:</i> DIN LSA connector (8°-polish) D-4108.66		

<p>LWL - Auskoplung 121 <i>Fiber optics coupling 121</i></p>	
<p>Masse [g]:/ Weight : 58</p>	
<p>Bestell-Nr. / Order No.: 269302 – 5010 . 024</p>	
<p>Steckersystem (Versorgung) FC-APC Stecker (8° Schliff) Connector (supply): FC-APC connection (8°-polish)</p>	

<p>Adapter LSI 440 <i>Adapter LSI 440</i></p>	
<p>Masse [g]:/ Weight : 293,2</p>	
<p>Bestell-Nr. / Order No.: 269302 – 5010 . 224</p>	
<p>Steckersystem: DIN LSA Stecker (8° Schliff) D-4108.66 <i>Connector:</i> DIN LSA connector (8°-polish) D-4108.66</p>	
<p>Steckersystem (Versorgung) FC-APC Stecker (8° Schliff) <i>Connector (supply):</i> FC-APC connection (8°-polish)</p>	

Fenster 44 - Vakuumdurchführung <i>Window 44 - Vacuum Feedthrough</i>		
Masse [g]:/ <i>Weight :</i>	-	
Bestell-Nr. / <i>Order No.:</i> 000000 – 5001 . 592		

Vakuum - Durchführung für 2 Faser <i>Vacuum - Feedthrough for 2x Fiber</i>		
Masse [g]:/ <i>Weight :</i>	-	
Bestell-Nr. / <i>Order No.:</i> 000000 – 5001 . 593		

Steckersystem:
VIS/NIR-50-NA022-DIN-APC/DIN-APC-20/50
Kabellänge 0,7 m

Connector:
VIS/NIR-50-NA022-DIN-APC/DIN-APC-20/50
Cable length 0.7 m